

34 459 360


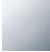


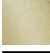



- shower with fixed riser projection 420mm
- rain shower Ø 200 mm
- rain shower with anti-scale system
- max. rainshower flow 14 l/min
- Function from: 8 l/min
- rotary diverter for fixed-riser shower/hand shower
- height of fittings up to rain shower (bottom edge) 985mm
- height of fittings up to top edge of elbow 1160mm
- two-part push-on rosette Ø 65 mm
- rosette for shower holder Ø 65mm
- rosette for wall mounting Ø 60mm
- gauge 150 mm - 13 mm
- metal shower hose 1250mm with integrated anti-twist protection
- 1/2" connection
- Pipe diameter 20 mm

This article does not include a hand shower!

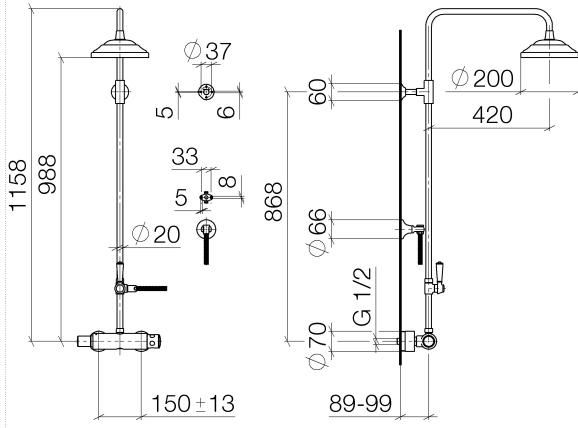
Intrinsic protection against back flow.

NOTE: The handles must be ordered separately from the fittings!

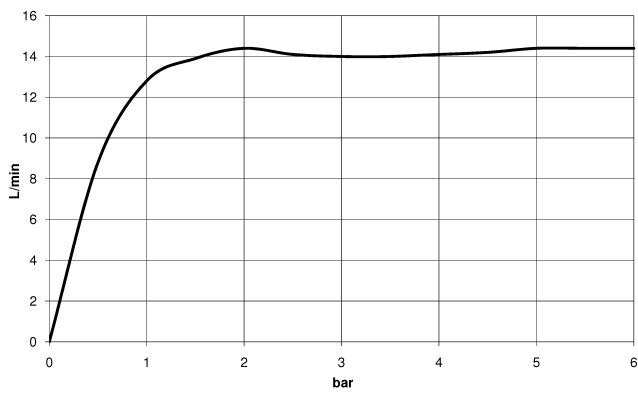
| | | |
|---|--------------------------------|---------------|
|  | Platinum | 34 459 360-08 |
|  | Chrome | 34 459 360-00 |
|  | Brushed Platinum | 34 459 360-06 |
|  | Durabronze (23kt Gold) | 34 459 360-09 |
|  | Brushed Durabronze (23kt Gold) | 34 459 360-28 |
|  | Brushed Dark Platinum | 34 459 360-99 |

34 459 360

1:10



Flow rate chart

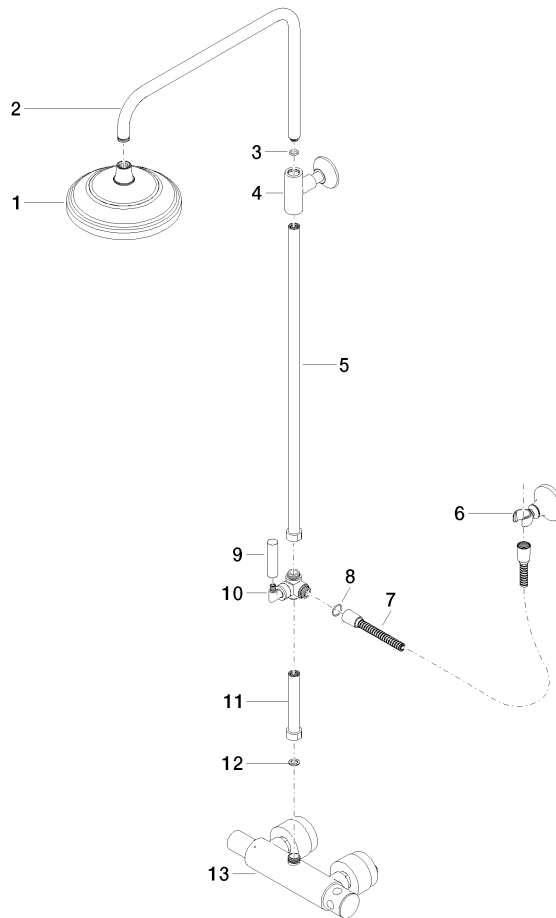


Certificates

LGA_38665.

34 459 360

Parts for other finishes can be found here: [Chrome](#)



34 459 360

Spare parts list

| No. | Item Number | Name | Quantity used | Delivery time |
|--|--------------------|--|---------------|---------------|
| 1 | 04 12 05 038 01-08 | shower | 1 | 60 |
| 2 | 04 28 22 101 20-08 | spout | 1 | 40 |
| 3 | 90 14 10 011 00 90 | seal | 1 | 2 |
| 4 | 90 17 11 037 01-08 | holder | 1 | - |
| Spare part can no longer be ordered, please order the replacement item | | | | |
| 5 | 90 28 22 104 00-08 | pipe | 1 | - |
| Spare part can no longer be ordered, please order the replacement item | | | | |
| 6 | 90 17 09 045 01-08 | diverter | 1 | 40 |
| 7 | 09 30 30 064-08 | screw | 1 | 40 |
| 8 | 09 18 20 011-08 | base | 1 | 40 |
| 9 | 09 28 22 013 90 | pipe | 1 | 2 |
| 10 | 11 170 370-08 | MADISON Lever insert - Platinum | 1 | 40 |
| 11 | 09 30 30 062-08 | screw | 1 | 40 |
| 12 | 09 14 10 122 90 | seal | 1 | 2 |
| 13 | 28 104 970-08 | Metal shower hose 1/2" x 1/2" x 1250 mm - Platinum | 1 | 40 |
| 14 | 28 050 410-08 | holder | 1 | 60 |
| 15 | 90 28 22 103 00-08 | pipe | 1 | - |
| Spare part can no longer be ordered, please order the replacement item | | | | |
| 16 | 90 14 20 002 00 90 | seal | 1 | 2 |
| 17 | 04 17 01 044 01-08 | fitting | 1 | 40 |